

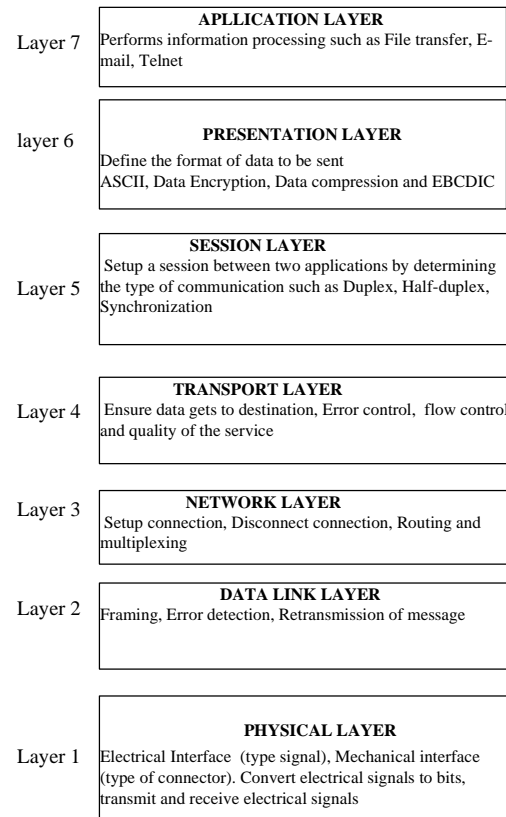
# Network Communications

## Chapter 4

Standards Organization and the  
OSI/ISO Model

# ISO/OSI Model

Figure 4.1



# Connections

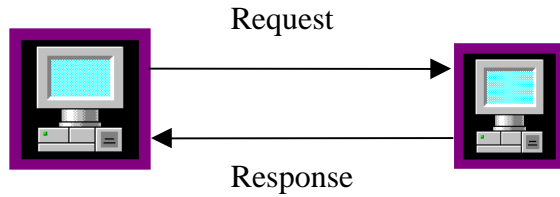


Figure 4.2a: P-P

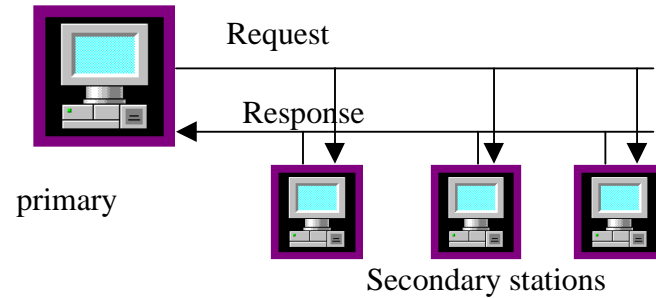


Figure 4.2b: Multipoint

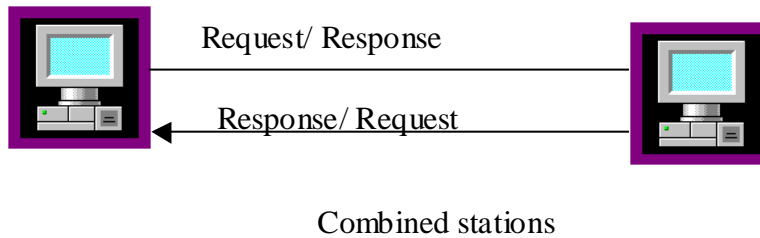


Figure 4.2c: P-P

# HDLC Frame

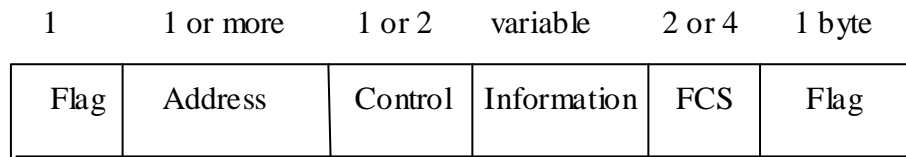


Figure 4.3

# Control Fields

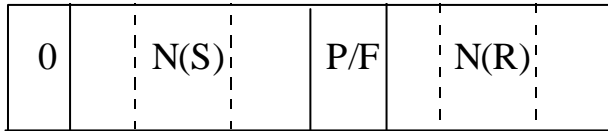


Figure 4.4a: I-Frame

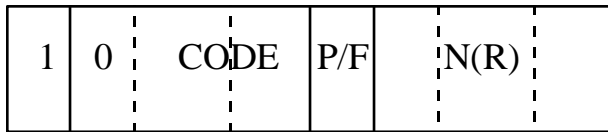


Figure 4.4b: S-Frame

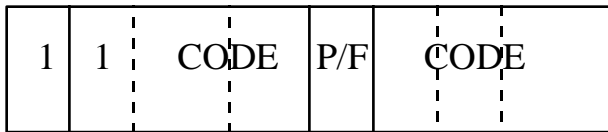


Figure 4.4c: U-Frame

# Asynchronous Transmission



Figure 4.5

# Character Synchronization

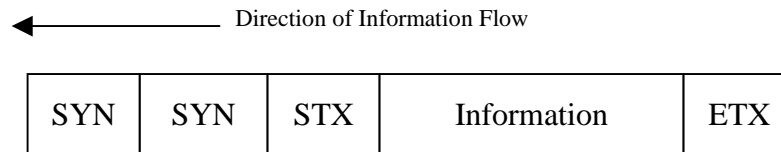


Figure 4.6

# Synchronization

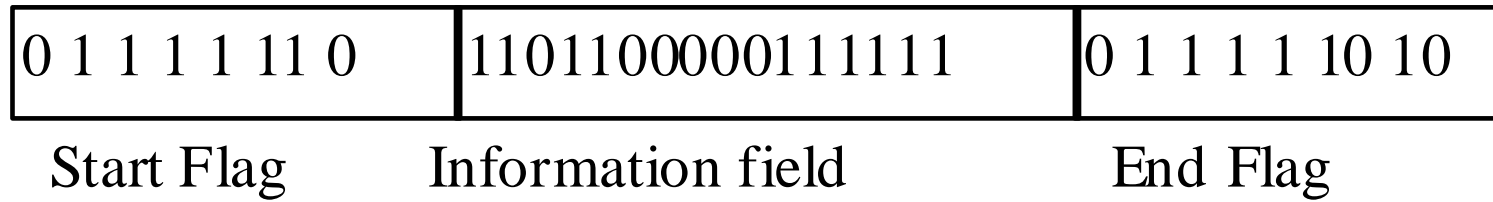


Figure 4.8



# Bit Insertion

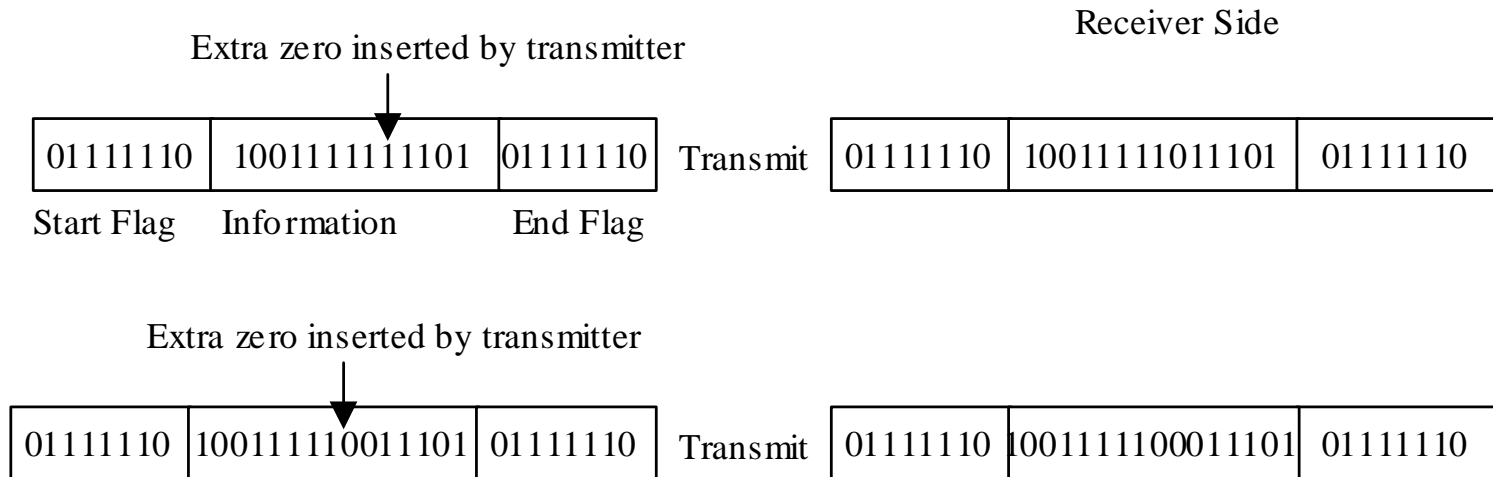


Figure 4.9

# Positive Acknowledgement

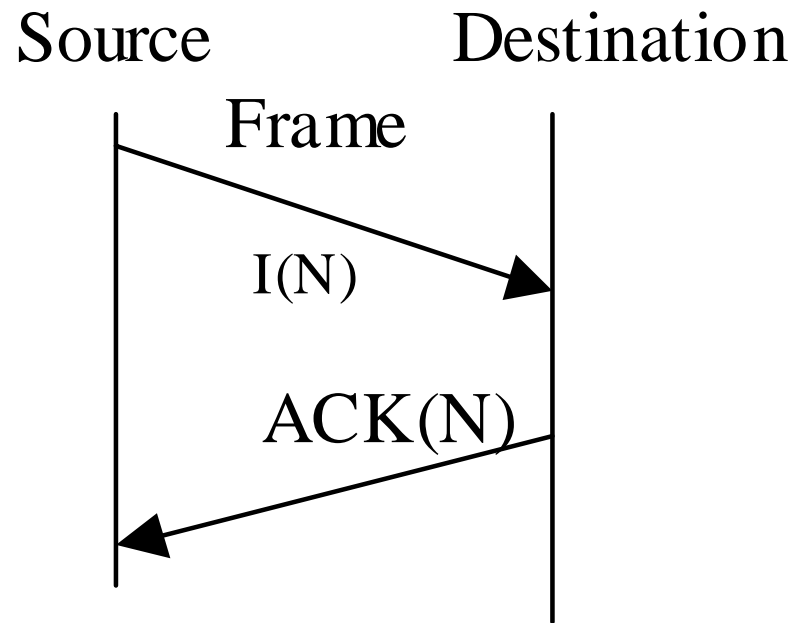


Figure 4.10

# Corrupted Frame

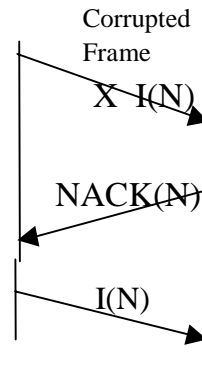


Figure 4.11

# Loss of ACK / Nack / I-Frame

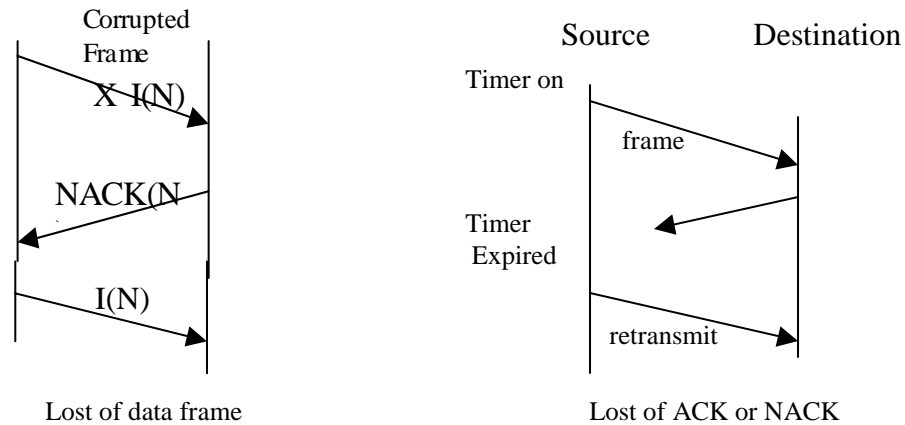


Figure 4.12

# Go-Back-N ARQ

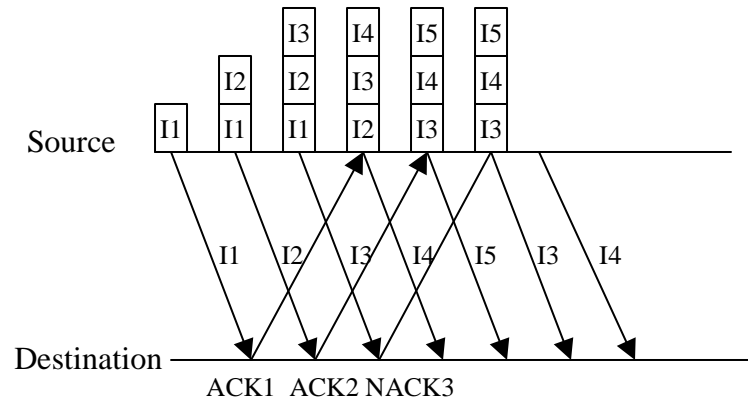


Figure 4.13

# Selective Reject ARQ

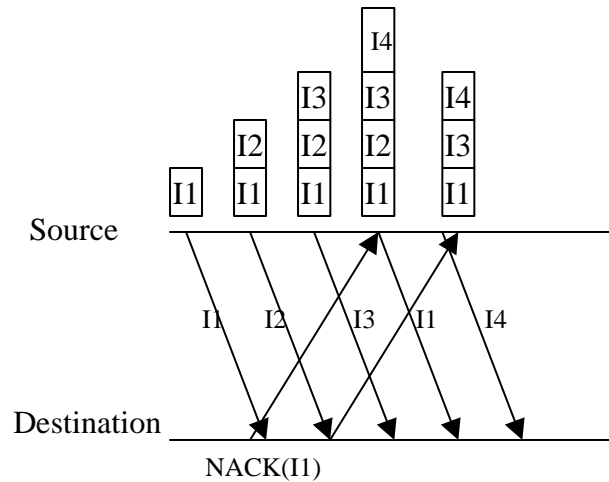


Figure 4.14

# Standards

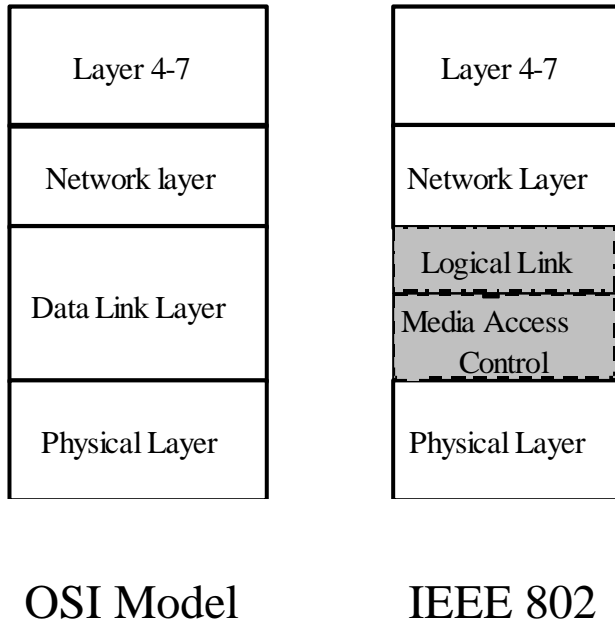


Figure 4.15

# IEEE 802 Reference Model

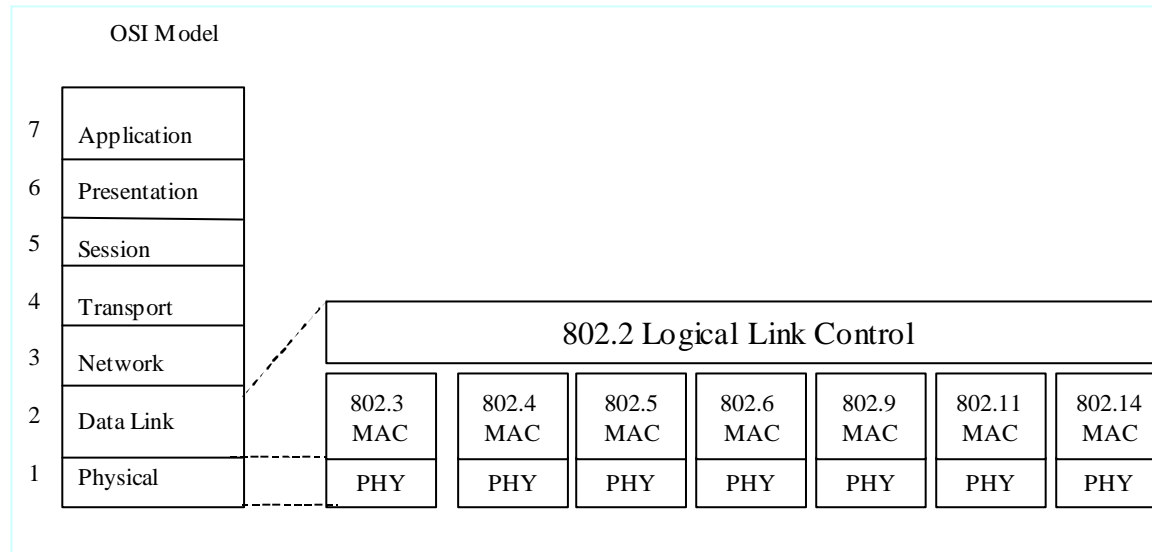


Figure 4.16



# Logical Link Control Frame Format

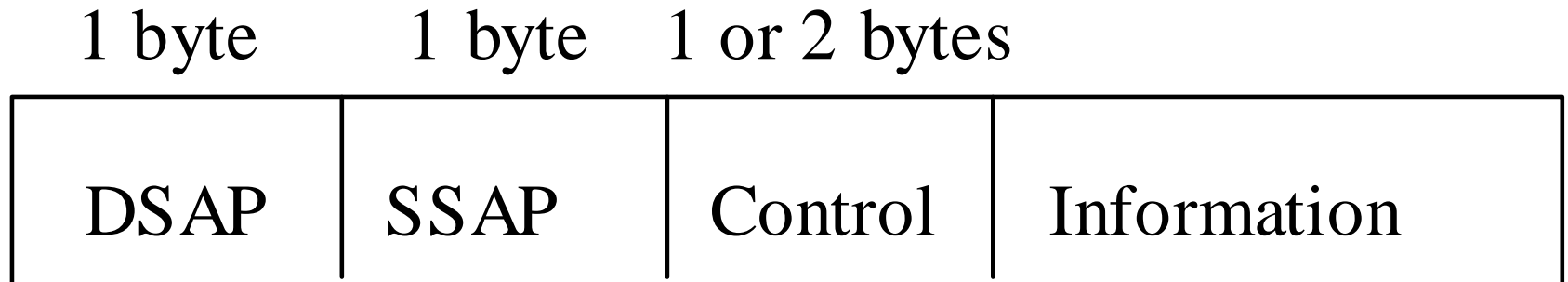


Figure 4.17